

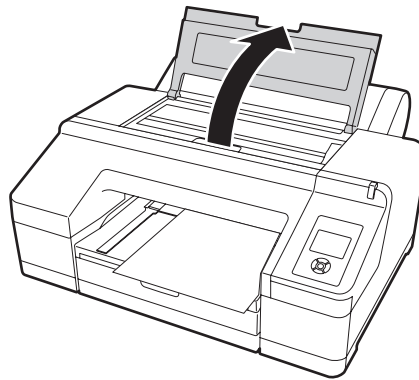


Using the Front Manual Feed Slot

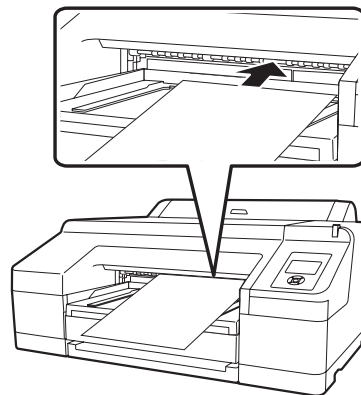
If you want to print on posterboard or other media 31 to 59 mil (0.8 to 1.5 mm) thick, you must use the manual feed slot. This provides a straight-through paper path. Be sure to allow enough room behind the printer so the paper is not bent when it feeds into the printing position.

Note: When the optional SpectroProofer is installed, you cannot print from the front manual feed slot.

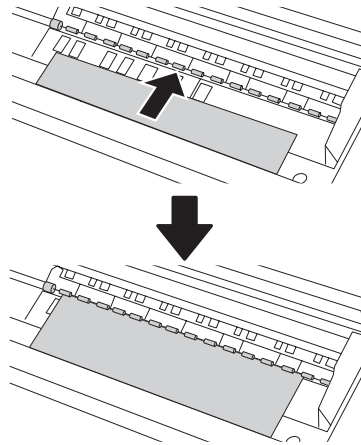
1. Make sure the printer is turned on, then press the ◀ Paper Source button until the  sheet icon appears on the LCD screen.
2. Press the  button to release the paper.
3. Open the top cover.



4. Insert the sheet face-up, above the black rollers.

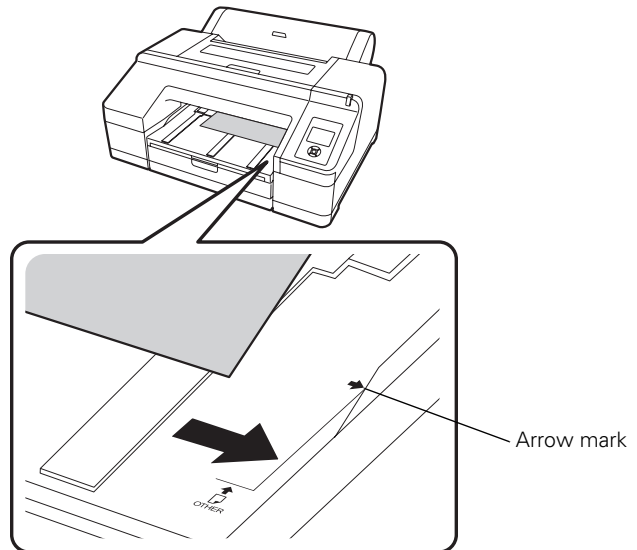



5. Push the paper under the gray feed rollers inside the printer.

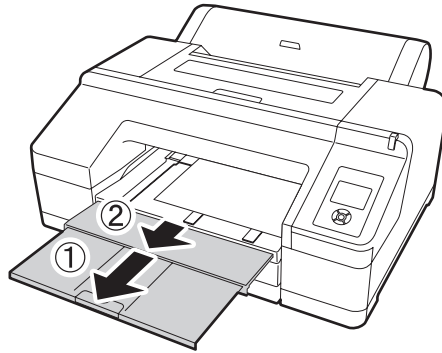


6. Align the edge of the paper with the mark on the paper cassette cover, as shown below. For longer sheets, make sure you align the right edge of the sheet with the arrow mark on the right and the leading edge with the OTHER mark.

Then close the top cover.




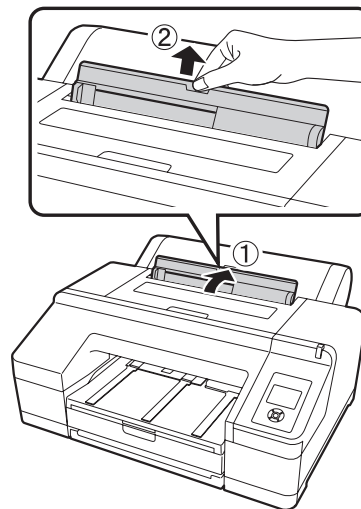
7. Press the  button. The printer automatically feeds the paper into printing position.
8. Extend the output tray and cover if necessary to support the sheet as it comes out of the printer. Make sure the roll paper cover is not open.



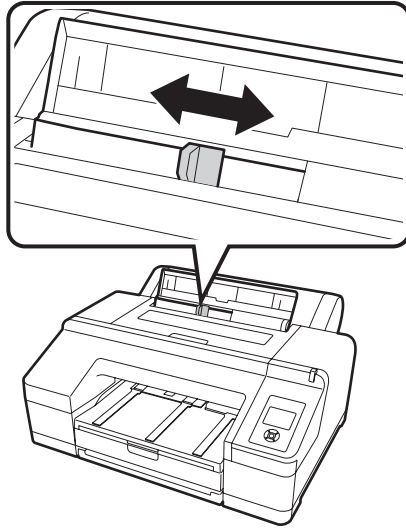
Using the Rear Manual Feed Slot

You may use the rear manual feed slot for thicker media types such as Velvet Fine Art Paper and UltraSmooth Fine Art Paper. You can also use this feed slot for other types of paper, as listed on page 37.

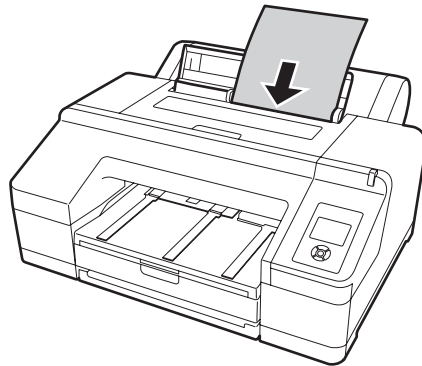
1. Make sure the printer is turned on, then press the ◀ Paper Source button until the  sheet icon appears on the LCD screen.
2. Extend the paper support.



3. Adjust the edge guide according to the paper width.

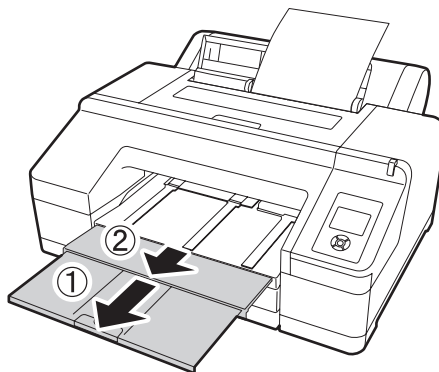


4. Align the sheet with the right edge of the slot and insert it until it meets resistance. Make sure the sheet is straight.



5. Press the ▼ button to feed the paper.

- Extend the output tray and cover if necessary to support the sheet as it comes out of the printer. Make sure the roll paper cover is not open.


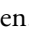




Using Roll Paper

You can use roll paper with a 2- or 3-inch core, up to 17 inches wide. Manually switching from one paper roll to another is a simple process. Check the Epson Pro Imaging website (www.proimaging.epson.com) or your Epson Professional Imaging authorized reseller for available media.

Roll Paper Guidelines

When printing on roll paper, be sure to follow the media handling guidelines on page 36, as well as these special guidelines for roll paper:

- When storing roll paper, keep it in its original packaging—including the bag, end caps, and box.
- To avoid feeding excess paper, make sure the  sheet icon does not appear on the LCD screen. Press the ◀ Paper Source button and press ▼ to highlight ROLL PAPER/CUT or ROLL PAPER/NO CUT. Press OK. The  or  roll icon appears on the LCD screen.
- Choose  if you want the paper to be cut automatically after each page is printed.
- When printing on thin media, raise the paper eject support to ensure a straight cut.

Caution: Some 2-inch core roll paper at widths smaller than 10" may cause the print head to strike the surface of the paper due to paper curling. This will damage the paper by leaving scratch marks on the surface of the paper and it can also cause paper jams if the paper is torn during the printing process. If you notice head strike marks or paper jams when printing on this type of paper, Epson recommends printing on 3-inch core paper or wider paper.